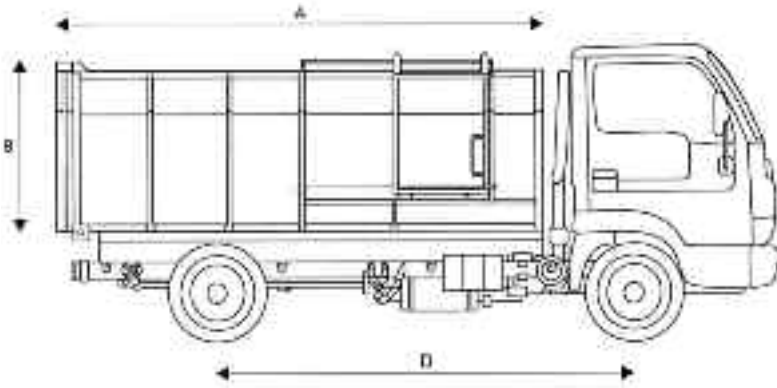




## Side Loading Waste Collection Vehicle



**The Answer**  
muniserv  
specialist vehicle  
**Product Reliability  
& Service**



## Technical Data

Model - SL	cubic metre	4	5	6
A. Overall Body Length mm		3010	3270	3535
B. Overall Body Height mm		1200	1200	1200
C. Width mm		1110	1275	1415
D. Wheelbase (Front to Back/Centre)		3000 - 4500		
Capacity		4m <sup>3</sup>	5m <sup>3</sup>	6m <sup>3</sup>
GVW		7.5t	7.5t	7.5t
Compaction Ratio		5:1	5:1	5:1



- Side loading waste compaction vehicle
- Available in 4, 5 & 6 cubic metres
- Manual or lifter side loading for convenience and safety
- Maximum payload of up to 2t on a 7.5 GVW chassis
- Very manoeuvrable and user friendly in tight and difficult locations
- Lifter - Fitted with 2/4 wheeled lifting mechanism
- Ideal for domestic and/or green waste



Innovation Without Complication

muni-serv  
Unit 2 Broughton Way, Halebank, Widnes, Cheshire WA8 8YX  
Tel: 0151 420 9818 Fax: 0151 420 9819  
E-mail: mail@muni-serv.com www.muni-serv.com



The information contained herein is correct at the time of publication. However, changes in legislation, technology or manufacturers specification could mean that alterations or improvements may be made.