

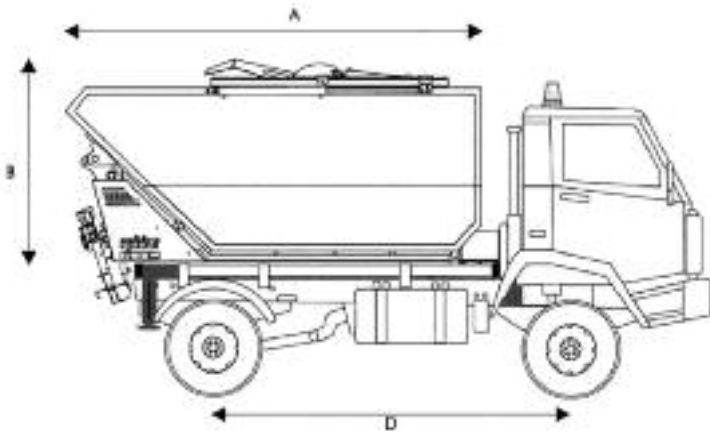


SHUTTLE PLUS 5 & 6

Rear Loading Waste **Compaction** Vehicle



The Answer
muniserv
specialist vehicle
**Product Reliability
& Service**



Technical Data

Model - Shuttle	5	6
A. Overall Body Length mm	3160	3280
B. Overall Body Height mm	1560	1900
C. Width mm	1250	1250
D. Wheelbase (ISUZU 75L)	2400 - 3500	2400 - 3500
Capacity	5m ³	6m ³
GVW	7.5t	7.5t
Compaction Ratio	2.1	2:1



- Rear loading loading waste compaction vehicle
- Available in 5m³ and 6m³ cubic metres
- Can be mounted on chassis with GVW of 7.5 tons. Muni-Serv recommends the ISUZU 75L
- Ninety Degree Tipping Angle for total extraction of waste from the body
- Economical when used for Missed Collections or Remote Small Dwellings
- Ideal for Recyclable Materials, Domestic and Kitchen Waste
- Satellite Unload - Enables Waste Transfer into Large Compaction Units or Skips



Innovation Without Complication

muni-serv
Unit 2 Broughton Way, Halebank, Widnes, Cheshire WA8 8YX
Tel: 0151 420 9818 Fax: 0151 420 9819
E-mail: mail@muni-serv.com www.muni-serv.com



The information contained herein is correct at the time of publication. However, changes in legislation, technology or manufacturers specification could mean that alterations or improvements may be made.